

8FG/FD35N, 40N

Specifications				40-8FD35N	8FG35N	40-8FD40N	8FG40N	
Identification	1.1	Manufacturer		Toyota	Toyota	Toyota	Toyota	
	1.2	Model		40-8FD35N	8FG35N	40-8FD40N	8FG40N	
	1.3	Drive		Diesel	LPG	Diesel	LPG	
	1.4	Operator type		Rider seated	Rider seated	Rider seated	Rider seated	
	1.5	Load capacity/rated load	Q	kg	4000 (3500)	4000 (3500)	4500 (4000)	4500 (4000)
	1.6	Load centre	c	mm	500 (600)	500 (600)	500 (600)	500 (600)
	1.8	Load distance, centre of drive axle to fork	x	mm	505	505	505	505
	1.9	Wheelbase	y	mm	1900	1900	1900	1900
	Weight	2.1	Service weight		kg	5780	5700	6150
2.2		Axle load, with load, front/rear		kg	8690/1090 (8110/1170)	8670/1030 (8090/1110)	9380/1270 (8830/1320)	9360/1210 (8810/1260)
2.3		Axle load, without load, front/rear		kg	2570/3210	2550/3150	2500/3650	2480/3590
Tyres	3.1	Tyre - pneumatic (P), pneumatic shaped cushion (SE), solid rubber (R)			P	P	P	P
	3.2	Tyre size, front			250-15-20PR	250-15-20PR	250-15-20PR	250-15-20PR
	3.3	Tyre size, rear			7.00-12-14PR	7.00-12-14PR	7.00-12-14PR	7.00-12-14PR
	3.5	Wheels, number front/rear (x = driven wheels)			2/2	2/2	2/2	2/2
	3.6	Track width, front	b ₁₀	mm	1115	1115	1115	1115
	3.7	Track width, rear	b ₁₁	mm	1100	1100	1100	1100
	Dimensions	4.1	Tilt of mast/fork carriage forward/backward	α/β	deg	6/12	6/12	6/12
4.2		Height, mast lowered	h ₁	mm	2110	2110	2110	2110
4.3		Free lift	h ₂	mm	110	110	110	110
4.4		Lift	h ₃	mm	2950	2950	2950	2950
		Lift height	h ₂₃	mm	3000	3000	3000	3000
4.5		Height, mast extended	h ₄	mm	4270	4270	4270	4270
4.7		Height of overhead guard (cab) ¹⁾	h ₆	mm	2285	2285	2285	2285
4.8		Seat height	h ₇	mm	1128	1128	1128	1128
4.12		Coupling height	h ₁₀	mm	420	420	420	420
4.19		Overall length	l ₁	mm	3925	3925	3980	3980
4.20		Length to face of forks	l ₂	mm	2925	2925	2980	2980
4.21		Overall width	b ₁	mm	1350	1350	1350	1350
4.22		Fork dimensions	s/e/l	mm	50/150/1000	50/150/1000	50/150/1000	50/150/1000
4.23		Fork carriage DIN 15 173, class/type A, B			IIIA	IIIA	IIIA	IIIA
4.24		Fork-carriage width	b ₃	mm	1170	1170	1170	1170
4.31		Ground clearance, with load, below mast	m ₁	mm	120	120	120	120
4.32		Ground clearance, centre of wheelbase	m ₂	mm	200	200	200	200
4.33		Aisle width for pallets 1000x1200 crossways	A _{st}	mm	4315	4315	4365	4365
4.34	Aisle width for pallets 800x1200 lengthways	A _{st}	mm	4515	4515	4565	4565	
4.35	Turning radius	W _a	mm	2610	2610	2660	2660	
4.36	Internal turning radius	b ₁₃	mm	940	940	990	990	
Performance data	5.1	Travel speed, with/without load		km/h	23/24	23/24	23/24	23/24
	5.2	Lift speed, with/without load		m/s	0,56/0,57	0,56/0,57	0,56/0,57	0,56/0,57
	5.3	Lowering speed, with/without load		m/s	0,53/0,48	0,53/0,48	0,53/0,48	0,53/0,48
	5.6	Max. drawbar pull, with/without load		N	37400/13500	37000/13400	37000/13000	36000/13000
	5.7	Gradeability, with load		%	35	34	30	32
	5.8	Max. gradeability, with/without load		%	45/24	43/24	40/21	42/21
5.10	Service brake			Hydraulic	Hydraulic	Hydraulic	Hydraulic	
Combustion engine	7.1	Engine manufacturer/type			TOYOTA 1KD	TOYOTA 1FS	TOYOTA 1KD	TOYOTA 1FS
	7.2	Engine power according to ISO 1585		kW	55	63	55	63
	7.3	Rated speed		1/min	2200	2350	2200	2350
	7.4	No. of cylinders/displacement		cm ³	4/2982	4/3685	4/2982	4/3685
	7.5a	Fuel consumption according to VDI60		l/h	4,3	—	4,6	—
	7.5b	Fuel consumption according to VDI60		kg/h	—	4,2	—	4,5
Other	8.2	Operating pressure for attachments		bar	185	185	185	185
	8.3	Oil volume for attachments		l/min	128	128	128	128
	8.4	Sound level at the driver's ear according to EN 12 053		dB(A)	77	80	77	80

1) Overhead guard dimensions reflected in the specification sheet are based on optional increased overhead guard (+75mm).

TMHE recommends this optional height for trucks sold in Europe for reason of additional comfort for majority of European drivers.

Data in () applicable for 600 mm LC.

Mast dimensions and rated capacities

Model			V						FV						FSV					
8FG/D35,40N	Lift height	h_{23}	3000	3300	3700	4000	4500	5000	3000	3300	3500	3700	4000	4000	4300	4500	4700	5000	5000	6000
	Lift	h_3	2950	3250	3650	3950	4450	4950	2950	3250	3450	3650	3950	3950	4250	4450	4650	4950	5450	5950
	Height, mast lowered	h_1	2110	2290	2490	2740	2990	3240	2110	2290	2390	2490	2740	2110	2160	2225	2290	2390	2540	2740
	Height, mast extended ¹⁾	h_4	3850	4150	4550	4850	5350	5850	3880	4180	4380	4580	4880	4880	5180	5380	5580	5880	6380	6880
	Height, mast extended ²⁾	h_4	4270	4570	4970	5270	5770	6270	4270	4570	4770	4970	5270	5270	5570	5770	5970	6270	6770	7270
	Free lift, without load backrest	h_2	110	110	110	110	110	110	1280	1460	1560	1660	1910	1280	1330	1395	1460	1560	1710	1910
	Free lift, with load backrest	h_2	110	110	110	110	110	110	890	1070	1170	1270	1520	890	940	1005	1070	1170	1320	1520

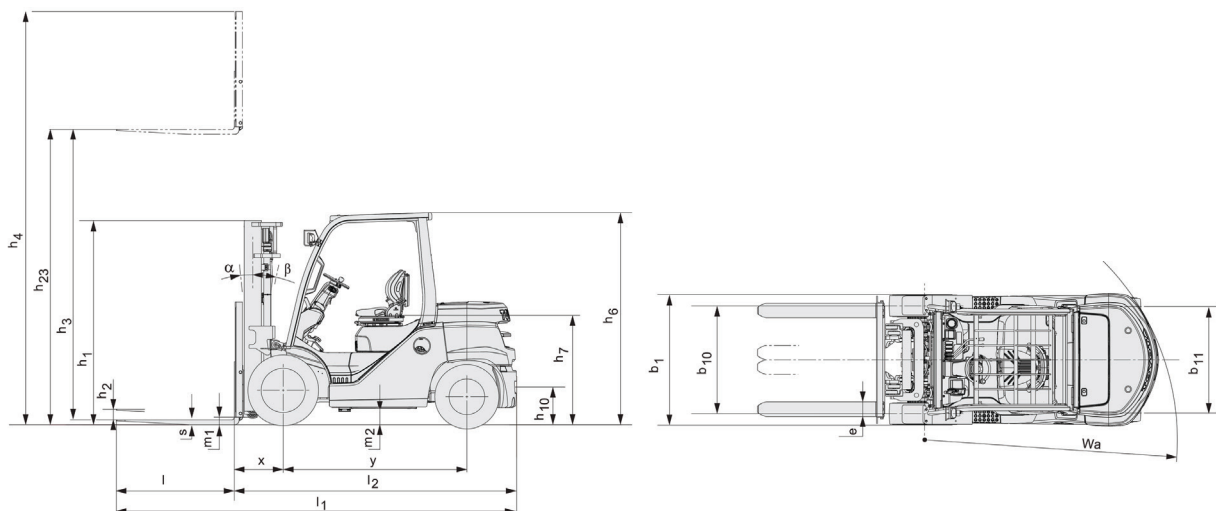
1) Without load backrest.

2) With load backrest; Height of standard load backrest is 1220 mm.

Single tyre			V						FV						FSV					
8FG/D35N	Tilt range, forward	deg	6	6	6	6	6	6	6	6	6	6	6	6	6	6	6	6	6	6
	Tilt range, backward	deg	12	12	12	12	12	6	12	12	12	12	12	6	6	6	6	6	6	6
	Load capacity at 500 mm LC	kg	4000	4000	4000	4000	4000	3800	4000	4000	4000	4000	4000	4000	3800	3700	3700	3600	3000	2200
	Load capacity at 600 mm LC	kg	3500	3500	3500	3500	3500	3500	3500	3500	3500	3500	3500	3500	3500	3500	3500	3400 (3450)	2800 (2850)	2100 (2150)
8FG/D40N	Tilt range, forward	deg	6	6	6	6	6	6	6	6	6	6	6	6	6	6	6	6	6	6
	Tilt range, backward	deg	12	12	12	12	6	6	12	12	12	12	12	6	6	6	6	6	6	6
	Load capacity at 500 mm LC	kg	4500	4500	4500	4500	4500	4200	4500	4500	4500	4500	4500	4500	4500	4500	4500	4400	3500	2700
	Load capacity at 600 mm LC	kg	4000	4000	4000	4000	4000	4000	4000	4000	4000	4000	4000	4000	4000	4000	4000	4000	3500 (3550)	2700 (2750)

Dual tyre			V						FV						FSV					
8FG/D35N	Tilt range, forward	deg	6	6	6	6	6	6	6	6	6	6	6	6	6	6	6	6	6	6
	Tilt range, backward	deg	12	12	12	12	12	12	12	12	12	12	12	6	6	6	6	6	6	6
	Load capacity at 500 mm LC	kg	4000	4000	4000	4000	4000	3800	4000	4000	4000	4000	4000	4000	3800	3700	3700	3600	3500	3400
	Load capacity at 600 mm LC	kg	3500	3500	3500	3500	3500	3500	3500	3500	3500	3500	3500	3500	3500	3500	3500	3400	3300	3200
8FG/D40N	Tilt range, forward	deg	6	6	6	6	6	6	6	6	6	6	6	6	6	6	6	6	6	6
	Tilt range, backward	deg	12	12	12	12	12	12	12	12	12	12	12	6	6	6	6	6	6	6
	Load capacity at 500 mm LC	kg	4500	4500	4500	4500	4500	4400	4500	4500	4500	4500	4500	4500	4500	4500	4500	4400	4200	3300
	Load capacity at 600 mm LC	kg	4000	4000	4000	4000	4000	4000	4000	4000	4000	4000	4000	4000	4000	4000	4000	4000	4000	3300

() = Load capacity with PSC tyres.



Underclearance		
Mast, load	mm	120
Drive axle, load	mm	170
Steer axle, no load	mm	210
Center of wheelbase, load	mm	200
Counterweight, no load	mm	200
Lowest point under chassis, full load	mm	140